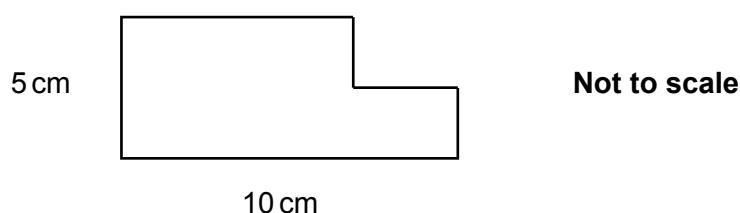
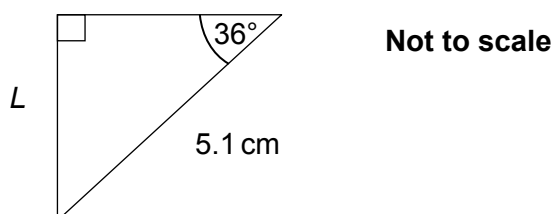


OCR 10 Mensuration (Higher)

1. Calculate the radius of a circle that has area $\pi \text{ km}^2$.
2. Find the angle whose cosine is 0.8.
3. A skier weighs 750 N. His skis have a combined surface area of 0.25 m^2 . How much pressure does the skier exert on the snow in N/m^2 ?
4. Find the perimeter of this shape.



5. One face of a cube has area 200 cm^2 . What is the surface area of the whole cube in m^2 ?
6. Sarah drives for 2 hours 20 minutes at an average speed of 42 miles per hour. How far does she drive?
7. Calculate L .

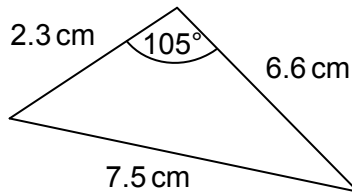


8. A map has a scale of 1 : 750 000. Two villages are 18 km apart. What will be the distance between the two villages on the map? Give your answer in mm.
9. The volume V of a sphere is given by the formula $V = \frac{4}{3}\pi r^3$, where r is the sphere's radius. Find the volume of a sphere with a diameter of $\frac{2}{7} \text{ m}$.

MATHEMATICS

Section Check In

10. Calculate the area of this triangle.



Not to scale

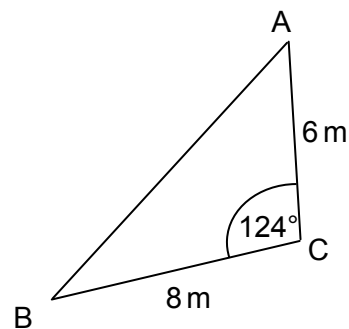
11. Show that $\sin 60^\circ \times \tan 30^\circ = \frac{1}{2}$.

12. Show that if a circle has a circumference of 10 cm, it has an area of $\frac{25}{\pi}$ cm².

13. The density of water is 1 g per cm³. Show that this is the same as 1000 kg per m³.

14. Frank uses the cosine rule to find the length AB.
He does the following calculation.

$$\begin{aligned} AB^2 &= 6^2 + 8^2 - 2 \times 6 \times 8 \times \cos 124 \\ &= 36 + 64 - 96 \times \cos 124 \\ &= 100 - 53.6825 \\ &= 46.3175 \\ \text{so } AB &= \sqrt{46.3175} = 6.8 \text{ cm} \end{aligned}$$



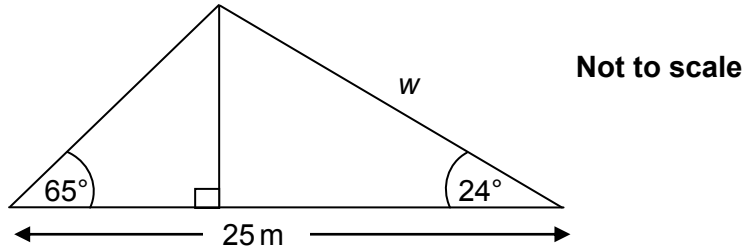
Not to scale

Identify the mistake Frank has made and show how to find the correct answer.

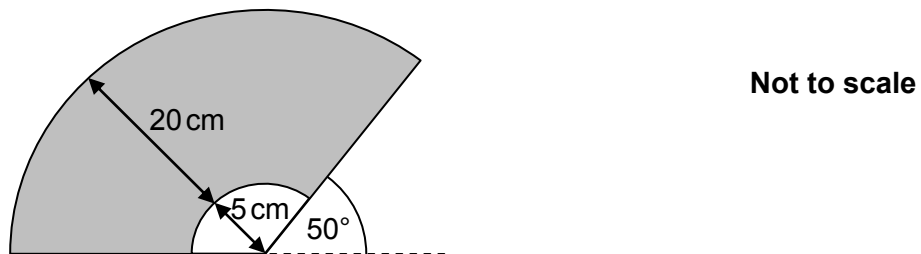
15. Charlotte runs for 30 seconds at a speed of u m/s. She then walks an equal distance at v m/s.
Show that the time Charlotte walks for can be expressed as $\frac{30u}{v}$ seconds.

16. In the isosceles triangle ABC, angle A = 90° and AB = 5 cm.
Calculate the length BC.
17. Town A is on a bearing of 150° from town B.
What is the bearing of town B from town A?

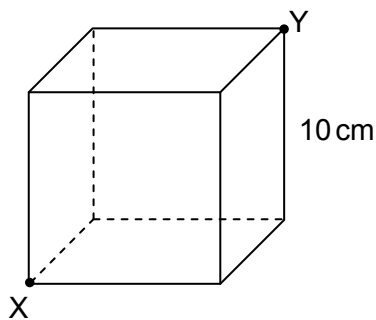
18. Two wires support a tall vertical pole. One wire forms an angle of 24° with the ground and the other wire forms an angle of 65° with the ground. The wires are 25 m apart at ground level. The length of the longer wire is w m. Find w .



19. Calculate the shaded area of the diagram below.



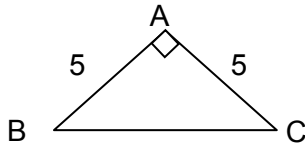
20. A cube has side length 10 cm, shown below. What is the direct distance from X to Y?



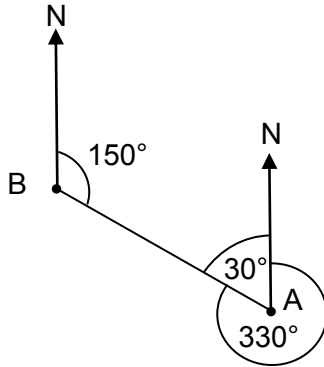
Answers

1. $\pi = \pi r^2$
 $r^2 = 1$
 so $r = 1$ km
2. 36.9°
3. 3000 N/m^2
4. 30 cm
5. $200 \times 6 = 1200 \text{ cm}^2$
 $\frac{1200}{10000} = 0.12 \text{ m}^2$
6. $d = st$ so distance is $42 \times \frac{7}{3} = 98$ miles
7. $5.1 \times \sin 36^\circ = 2.99\dots$ or 3.0 cm
8. $18 \div 750000 = 0.000024 \text{ km}$
 $= 24 \text{ mm}$
9. $\frac{4}{3} \times \pi \times \left(\frac{1}{7}\right)^3 = \frac{4}{1029} \pi$ or 0.012 m^3
10. $\frac{1}{2} \times 2.3 \times 6.6 \times \sin 105^\circ = 7.3 \text{ cm}^2$
11. $\frac{\sqrt{3}}{2} \times \frac{\sqrt{3}}{3} = \frac{\sqrt{3} \times \sqrt{3}}{2 \times 3} = \frac{3}{6} = \frac{1}{2}$
12. $2\pi r = 10$ so $r = \frac{5}{\pi}$ (or same from πd)
 $\pi r^2 = \pi \left(\frac{5}{\pi}\right)^2 = \frac{25\pi}{\pi^2} = \frac{25}{\pi} \text{ cm}^2$
13. $1 \text{ m}^3 = 10^6 \text{ cm}^3$
 so 1 g per cm^3 is equivalent to 10^6 g per m^3 .
 $10^6 \text{ g} = 1000 \text{ kg}$
14. $AB^2 = 100 + 53.68\dots$ in third line because $\cos 124^\circ$ is negative. The answer should be 12.4 cm .
15. Runs $30u$ metres.
 $t = \frac{d}{s}$ so time walking is $\frac{30u}{v}$ seconds.

16.



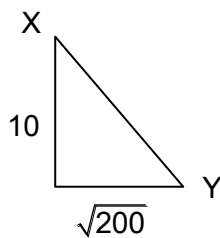
$$BC = \sqrt{5^2 + 5^2} = \sqrt{50} \text{ or } 7.1 \text{ cm}$$

17. 330° 18. Third angle in triangle is 91° .

$$\frac{p}{\sin 65} = \frac{25}{\sin 91} \Rightarrow p = \frac{25 \times \sin 65}{\sin 91} = 22.7 \text{ m}$$

$$19. \frac{130}{360} \times \pi \times 40^2 = \frac{5000}{9} \pi \text{ or } 1815.1 \text{ cm}^2$$

$$20. \text{Diagonal of bottom face} = \sqrt{10^2 + 10^2} = \sqrt{200}$$



$$\text{Distance from X to Y is } \sqrt{10^2 + (\sqrt{200})^2} = \sqrt{300} = 10\sqrt{3} \text{ or } 17.3 \text{ cm}$$

We'd like to know your view on the resources we produce. By clicking on '[Like](#)' or '[Dislike](#)' you can help us to ensure that our resources work for you. When the email template pops up please add additional comments if you wish and then just click 'Send'. Thank you.

Whether you already offer OCR qualifications, are new to OCR, or are considering switching from your current provider/awarding organisation, you can request more information by completing the Expression of Interest form which can be found here:

www.ocr.org.uk/expression-of-interest

Looking for a resource? There is now a quick and easy search tool to help find free resources for your qualification:

www.ocr.org.uk/i-want-to/find-resources/

OCR Resources: *the small print*

OCR's resources are provided to support the delivery of OCR qualifications, but in no way constitute an endorsed teaching method that is required by the Board, and the decision to use them lies with the individual teacher. Whilst every effort is made to ensure the accuracy of the content, OCR cannot be held responsible for any errors or omissions within these resources. This formative assessment resource has been produced as part of our free GCSE teaching and learning support package. All the GCSE teaching and learning resources, including delivery guides, topic exploration packs, lesson elements and more are available on the qualification webpages. If you are looking for examination practice materials, you can find Sample Assessment Materials (SAMs) and Practice Papers on the qualification webpage <http://www.ocr.org.uk/qualifications/gcse-mathematics-j560-from-2015/>

© OCR 2017 - This resource may be freely copied and distributed, as long as the OCR logo and this message remain intact and OCR is acknowledged as the originator of this work.

OCR acknowledges the use of the following content: n/a

Please get in touch if you want to discuss the accessibility of resources we offer to support delivery of our qualifications: resources.feedback@ocr.org.uk

Assessment Objective	Qu.	Topic	R	A	G
AO1	1	Apply the formula for area of a circle			
AO1	2	Apply trigonometric ratios to find an angle			
AO1	3	Use compound units			
AO1	4	Calculate perimeter of a rectilinear shape			
AO1	5	Convert standard units of measure for area			
AO1	6	Know and apply speed = distance ÷ time			
AO1	7	Know and apply trigonometric ratios to find a length			
AO1	8	Use the scale of a map			
AO1	9	Calculate volume of a sphere			
AO1	10	Know and apply area = $\frac{1}{2}ab \sin C$			
AO2	11	Know and apply exact trigonometric ratios			
AO2	12	Know and apply formula for area of a circle			
AO2	13	Use and convert compound units			
AO2	14	Know and apply cosine rule to find a length			
AO2	15	Use compound units in an algebraic context			
AO3	16	Know and apply Pythagoras' theorem in 2D			
AO3	17	Work with bearings			
AO3	18	Use and apply sine rule to find a length			
AO3	19	Calculate area of a sector given angle and radius			
AO3	20	Know and apply Pythagoras' theorem in 3D			

Assessment Objective	Qu.	Topic	R	A	G
AO1	1	Apply the formula for area of a circle			
AO1	2	Apply trigonometric ratios to find an angle			
AO1	3	Use compound units			
AO1	4	Calculate perimeter of a rectilinear shape			
AO1	5	Convert standard units of measure for area			
AO1	6	Know and apply speed = distance ÷ time			
AO1	7	Know and apply trigonometric ratios to find a length			
AO1	8	Use the scale of a map			
AO1	9	Calculate volume of a sphere			
AO1	10	Know and apply area = $\frac{1}{2}ab \sin C$			
AO2	11	Know and apply exact trigonometric ratios			
AO2	12	Know and apply formula for area of a circle			
AO2	13	Use and convert compound units			
AO2	14	Know and apply cosine rule to find a length			
AO2	15	Use compound units in an algebraic context			
AO3	16	Know and apply Pythagoras' theorem in 2D			
AO3	17	Work with bearings			
AO3	18	Use and apply sine rule to find a length			
AO3	19	Calculate area of a sector given angle and radius			
AO3	20	Know and apply Pythagoras' theorem in 3D			