

AQA, OCR, Edexcel

GCSE

GCSE Maths

Area and Volume Questions

Name:

M

M

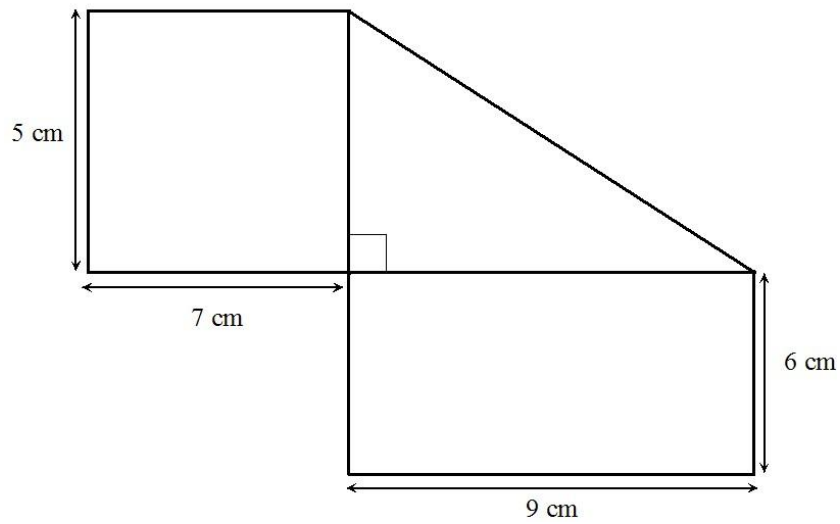
E

Mathsmadeeasy.co.uk

Total Marks:

Area and Volume

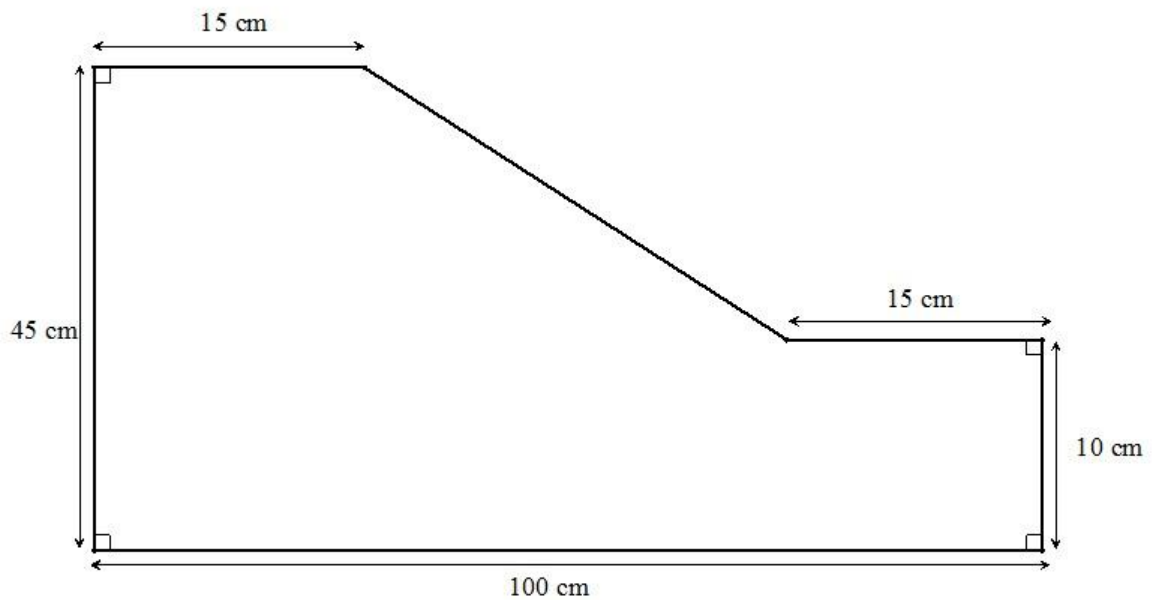
1. The diagram shows the plan to a floor



Calculate the total area of the floor.

(3 Mark)

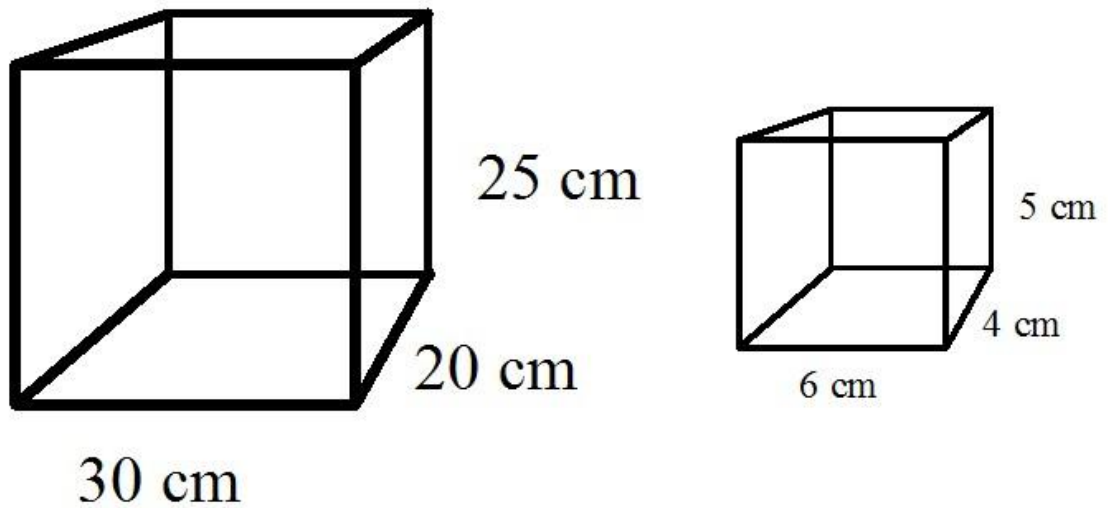
2. The diagram shows the floor plan to a warehouse which stores lamps.



The owner of the warehouse has just ordered 14 lamps, each lamp needs at least 200cm^2 of room, is there enough room in the warehouse for all the lamps. You **MUST** show your working.

(5 Marks)

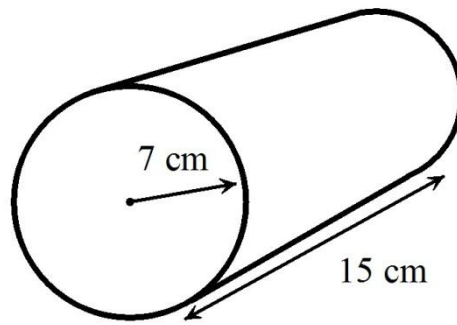
3. The diagram below shows two boxes.



Pete says that 125 of the smaller boxes will fit in the larger box, is Pete right? You **MUST** show your working.

(5 Marks)

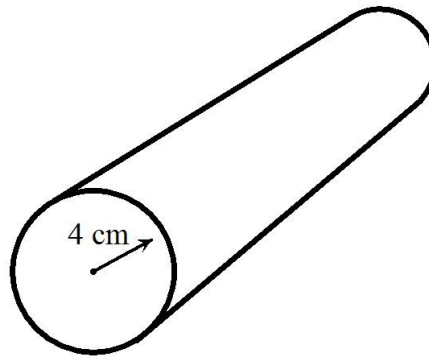
4. The diagram shows a tube.



Calculate the Volume of the tube.

(2 Marks)

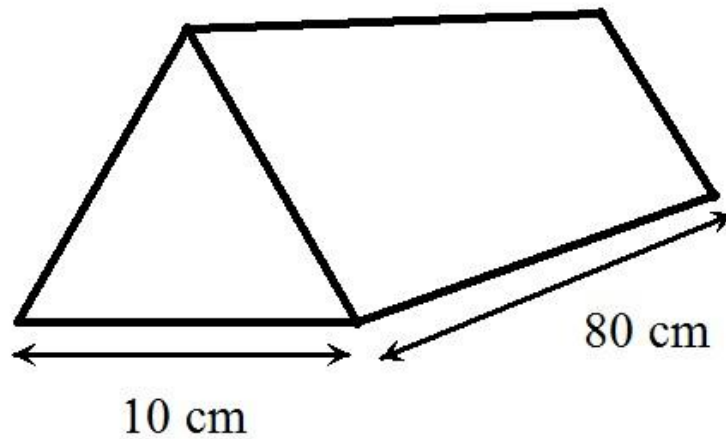
5. The Diagram shows a tube of volume 112 cm^3 .



Calculate the height of the tube

(3 Marks)

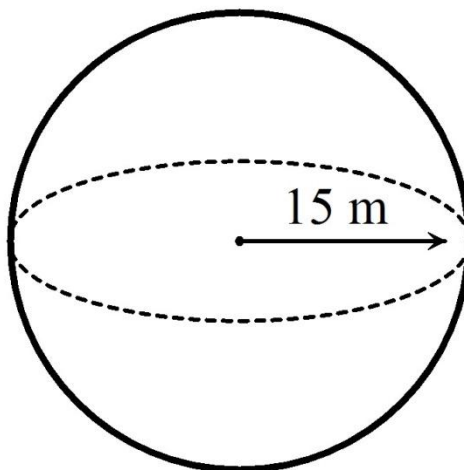
6. The diagram shows a triangular prism of volume 4800cm^3



Calculate the vertical height of the triangular prism.

(3 Marks)

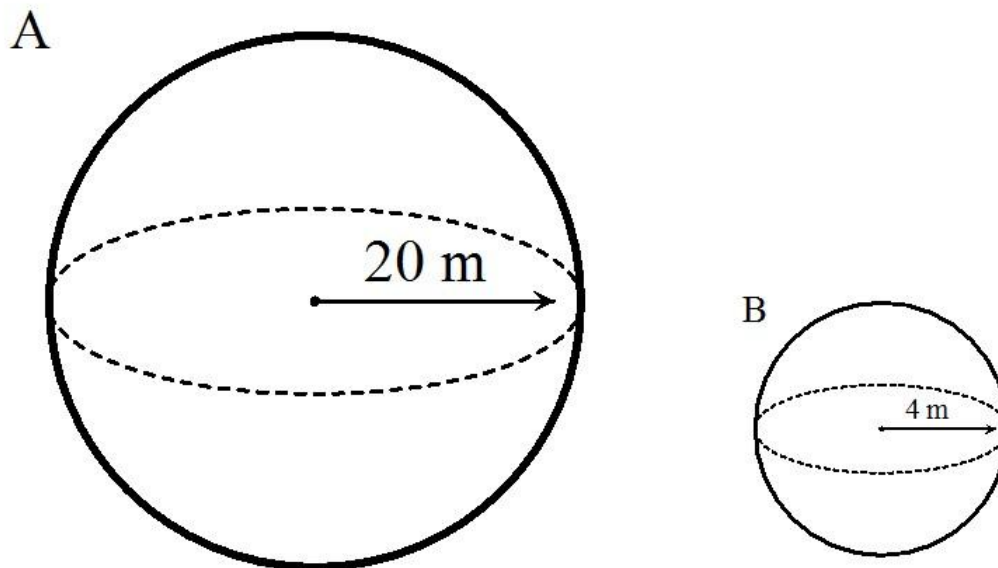
7. The diagram shows a sphere.



Calculate the volume of the sphere.

(2 Marks)

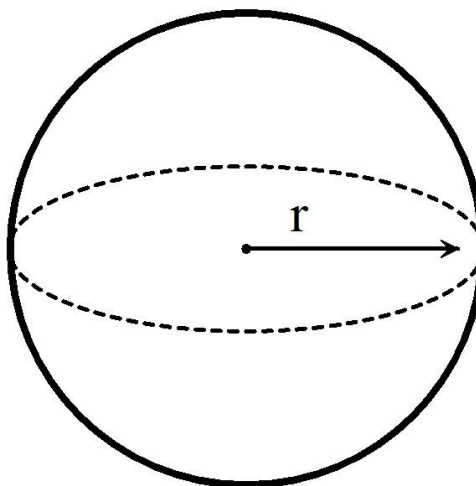
8. The diagram shows two spheres A and B.



Use the diagram to calculate how many times sphere B, could fit into sphere A.

(3 Marks)

9. The diagram shows a sphere of volume 2003 m^3 .



Calculate the radius of the sphere.

(3 Marks)