

AQA, OCR, Edexcel

GCSE

GCSE Maths

Estimation 2 Questions

Name:

M M E

Mathsmadeeasy.co.uk

Total Marks: /15

Estimating 2

1. Work out an estimate for the following quantity:

$$4.1 \times 9.8$$

(2 marks)

2. Work out an estimate for the following quantity:

$$\frac{29 \times 1.9}{5.1}$$

(2 Marks)

3. Work out an estimate for the following quantity:

$$\frac{5001}{5.1 \times 4.9}$$

(2 Marks)

4. Work out an estimate for the following quantity:

$$4.1 \times \frac{99}{5.1}$$

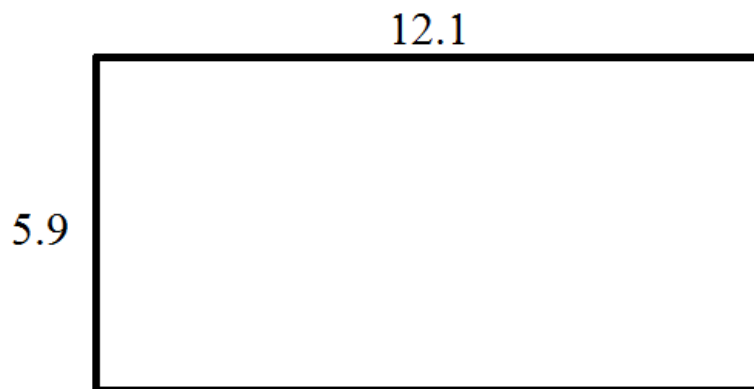
(2 Marks)

5. Work out an estimate for the following quantity:

$$\frac{99.1 \times 1.12}{44.1 + 55.9}$$

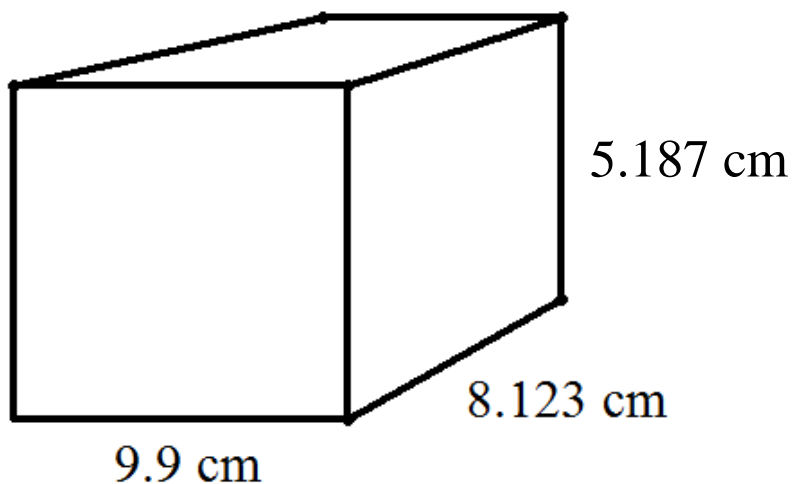
(2 Marks)

6. Work out an estimate for the area of the rectangle below. The dimensions in the diagram below are in *centimetres*.



(2 Marks)

7. Work out an estimate for the volume of the cuboid



(3 Marks)