

Surname	Centre Number	Candidate Number
Other Names		0



**GCSE – LEGACY**

4341/01



**COMPUTER SCIENCE**  
**UNIT 1: Understanding Computer Science**

MONDAY, 14 MAY 2018 – MORNING

1 hour 30 minutes

For Examiner's use only	
Total	

**INSTRUCTIONS TO CANDIDATES**

Use black ink or black ball-point pen. Do not use pencil or gel pen. Do not use correction fluid.

Write your name, centre number and candidate number in the spaces at the top of this page.

Answer **all** questions.

Write your answers in the spaces provided in this booklet.

If you run out of space, use the continuation page at the back of the booklet, taking care to number the question(s) correctly.

**INFORMATION FOR CANDIDATES**

The number of marks is given in brackets at the end of each question or part-question.

Quality of written communication (QWC) will be assessed in question **14**. The total marks available for this unit is **90**.



MAY1843410101

Answer all questions.

1. Starting with the smallest, complete the table, numbering the units from 1 to 5 in order of data storage capacity. The smallest unit has been completed for you. [4]

Units	Order (1-5)
Gigabyte	
Yottabyte	
Byte	1
Exabyte	
Kilobyte	

2. (a) State what is meant by the term ROM. [1]

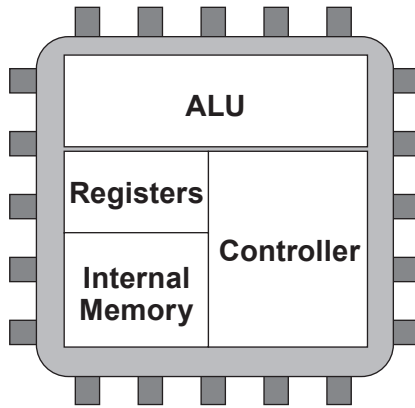
.....

- (b) State a feature of ROM and give an example of its use. [2]

.....  
.....  
.....  
.....  
.....



3. (a) The diagram below shows four components of a Central Processing Unit (CPU). State a purpose of each component. [4]



ALU .....

.....

Registers .....

.....

Internal Memory .....

.....

Controller .....

.....

- (b) Buses allow data to be transferred to different parts of the computer. Name the **two** main buses that are used by the CPU. [2]

.....

.....

.....

.....



(c) Describe **one** possible benefit of a dual core CPU. [2]

.....

.....

.....

.....

4. (a) Data is split into packets before transmission over a network. Name the **two** protocols that allow packets to be sent and received. [2]

.....

.....

(b) Describe the contents of a packet. [5]

.....

.....

.....

.....

.....

.....

.....

.....

.....

(c) Describe packet switching. [3]

.....

.....

.....

.....

.....

.....

.....

.....



5. Many different data types can be stored on a computer system. Five common data types are string, Boolean, real, character and integer. Give suitable examples of data that could be held in each data type using the table below: [5]

Data type	Example
String	
Real	
Boolean	
Character	
Integer	



6. (a) The American Standard Code for Information Interchange (ASCII) is a character set. State how many bits are used in this character set. [1]

.....

(b) Explain the limitations of this character set. [2]

.....

.....

.....

.....

7. Calculate the size of files A, B and C using the following compression ratios. [3]

File	Size before Compression	Compression Ratio
File A	9000 KB	10:1
File B	5000 KB	16:2
File C	3000 KB	15:2

**File A**

.....

.....

.....

**File B**

.....

.....

.....

**File C**

.....

.....

.....



8. There are many different types of network topology. State the most suitable topology for the following and **explain** how the topology will meet the requirement. [9]

(a) **Offers good security**

**Topology**

.....

**Explanation**

.....  
.....  
.....  
.....

(b) **Network needed for a short time (temporary)**

**Topology**

.....

**Explanation**

.....  
.....  
.....  
.....

(c) **Avoids collisions**

**Topology**

.....

**Explanation**

.....  
.....  
.....  
.....



9. Below is an algorithm that calculates rewards for sales staff.

```

Sales is real
Customers is integer

startmainprog

input Sales
input Customers

if ((Sales > 500) OR ((Sales > 300) AND (Customers>9))) then
    output "Bonus Awarded"
else
    output "No Bonus"
end if
end subroutine

```

Complete the table below stating what the output will be:

[4]

Inputs	Output
Sales = 600 Customers = 9	
Sales = 300 Customers = 10	
Sales = 420 Customers = 9	
Sales = 350 Customers = 12	





10. (a) Explain why hexadecimal numbers are used in computer science. [2]

.....  
.....  
.....  
.....

(b) Convert the  $11111100_2$  binary number to hexadecimal.  
Show your workings. [2]

.....  
.....  
.....  
.....

(c) Convert the denary number  $138_{10}$  to hexadecimal.  
Show your workings. [2]

.....  
.....  
.....  
.....

(d) Convert the hexadecimal number  $5D_{16}$  to denary.  
Show your workings. [2]

.....  
.....  
.....  
.....



11. (a) Name the legislation (law) that was introduced to try to prevent malicious damage to a computer system. [1]

.....

(b) A virus checker aims to prevent malicious damage. Identify **three** typical functions carried out by this software. [3]

**Function 1** .....

.....

**Function 2** .....

.....

**Function 3** .....

.....

(c) State the role of a firewall. [1]

.....

.....

(d) Identify **three** typical functions of a firewall. [3]

**Function 1** .....

.....

**Function 2** .....

.....

**Function 3** .....

.....



12. The operating system manages resources and provides the human computer interface.

(a) Give **three** reasons why a train ticket system would use a touch sensitive interface. [3]

**Reason 1** .....

.....

**Reason 2** .....

.....

**Reason 3** .....

.....

(b) Explain how the operating system manages printing. [2]

.....

.....

.....

.....

(c) Explain how the operating system manages the processor. [2]

.....

.....

.....

.....

(d) Explain how the operating system manages RAM. [2]

.....

.....

.....

.....



13. The following program is intended to calculate a total mark achieved by one student who has taken four tests. The program contains **two** errors. [4]

```
Total is integer
Count is integer
Mark is integer

Total = 0

for Count = 1 to 4

    ipnut Mark

    Total = Total - Mark

next Count
```

Name the errors and write down the corrected code.

**Error type 1**

.....

**Corrected code 1**

.....

**Error type 2**

.....

**Corrected code 2**

.....



14. Software Development Environments (IDE) provide programmers with various tools that are needed to develop computer programs. Identify **five** tools and explain how these tools are used during the development of a computer program. [12 QWC]

*Quality of written communication will be assessed in this question.*

A large rectangular area containing horizontal dotted lines for writing.



Area with horizontal dotted lines for writing.

**END OF PAPER**



**BLANK PAGE**

**PLEASE DO NOT WRITE  
ON THIS PAGE**



