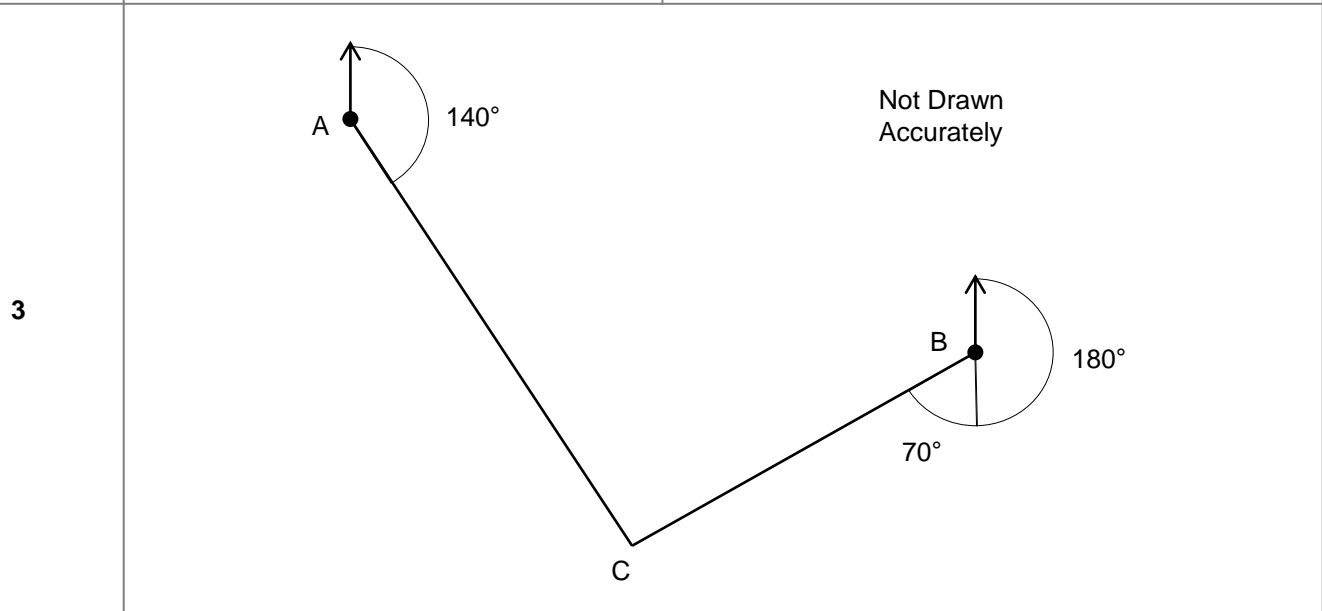


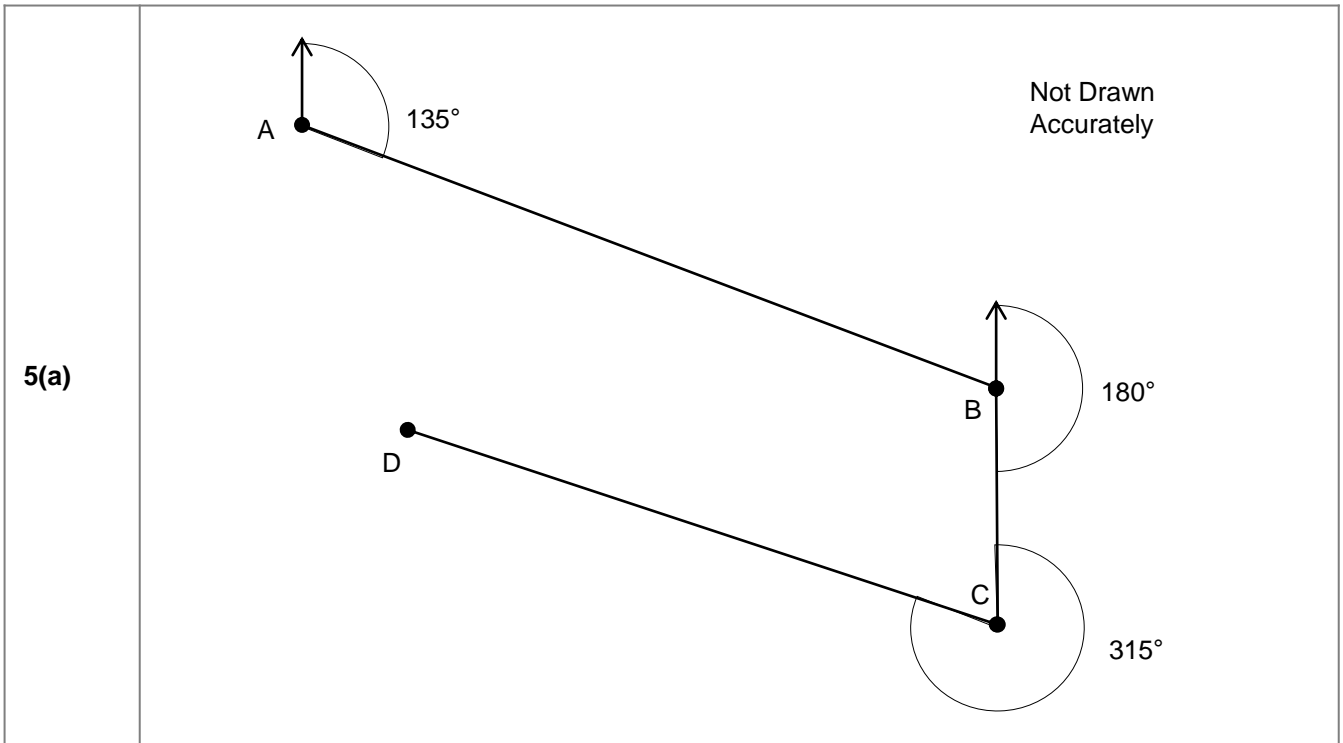
Bearings Mark Scheme

1(a)	315°	[1]
1(b)	135°	[1]
2(a)	060°	[1] must be 3 significant figures
2(b)	240°	[1]
2(c)	12 km	[1] 6 cm ± 2 mm allow 10km -14km

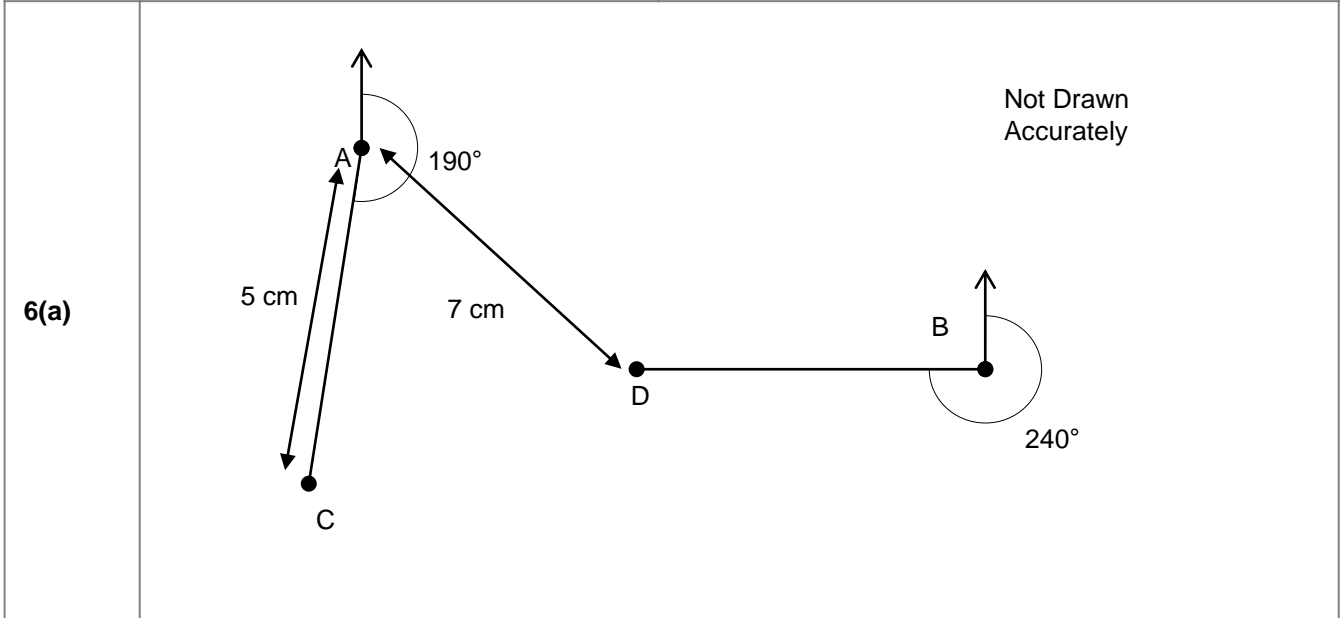


	Drawing bearing C from A	[1]
	Drawing bearing C from B	[1]
	Correctly identifying point C	[1]
4(a)	115° $\pm 2^\circ$ 120 km ± 5 km	[1]
4(b)	236° $\pm 2^\circ$ 70 km ± 5 km	[1]
4(c)	316° $\pm 2^\circ$, 55 km ± 5 km	[1]

Turn over ►



	Correctly drawing A to B	[1]
	Correctly drawing B to C	[1]
	Correctly drawing C to D	[1]
5(b)	$345^\circ \pm 5^\circ$	[1]

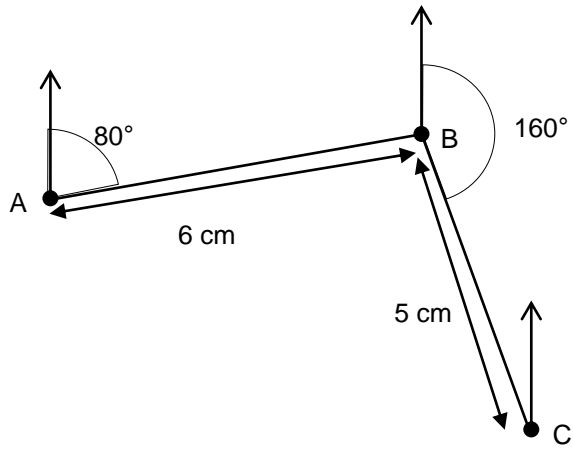


	Draw point C correctly	[1]
	Draw point D correctly	[1]
6(b)	$268^\circ \pm 5^\circ$,	[1]
	$6.2 \text{ km} \pm 0.5 \text{ km}$	[1]

Turn over ►

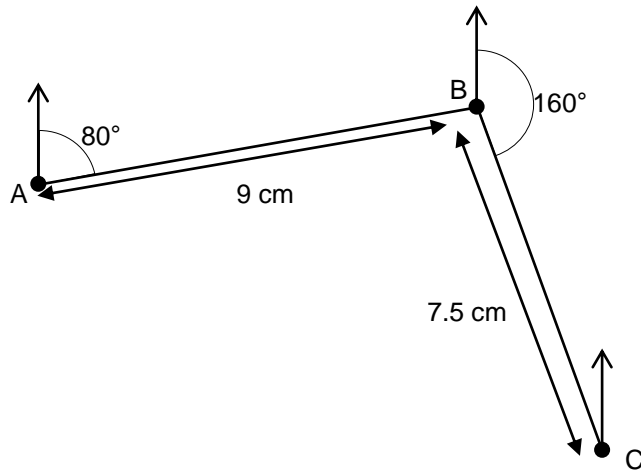
3

7



Correctly drawn A to B

[1]



Correctly drawn correct path to C

[1]

Bearing from D to C $235^\circ \pm 15^\circ$

[1] Award mark for correct drawing with D

Distance From D to C
 $4.2 \text{ cm} = 2.8 \text{ km}$

[1] All $\pm 1 \text{ km}$

END